



VIB HD 45 HIGH DEFLECTION SHOCK MOUNTS

DESCRIPTION

Range of omnidirectional high deflection shock mounts made with a square base plate and a threaded core on the upper side.

The elastomer, in natural rubber, is developed especially for navy applications (other materials on demand).

ADVANTAGES

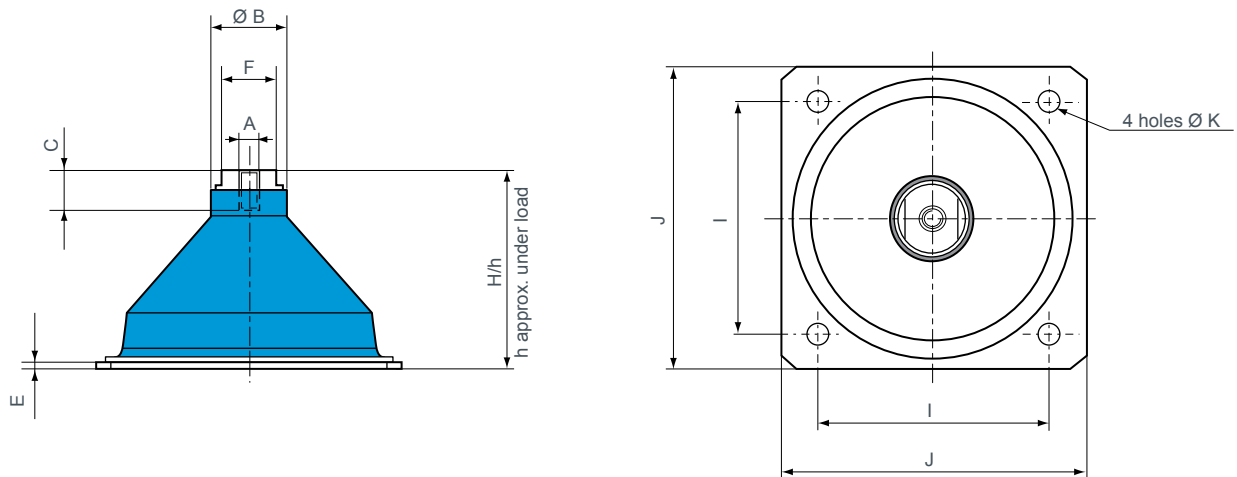
These mounts provide both high level of vibration isolation and shock protection. Its high structural strength corresponds to a continuous acceleration of 10 g under maximum load.

The range includes 17 different mounts covering a wide load range from 15 kg up to 1670 kg per mount.

This mount meets the latest US and European shock standards in use in the naval forces across the globe.

The metalworks are protected against corrosion (ie. : salt spray).

DIMENSIONS



OPERATING CHARACTERISTICS

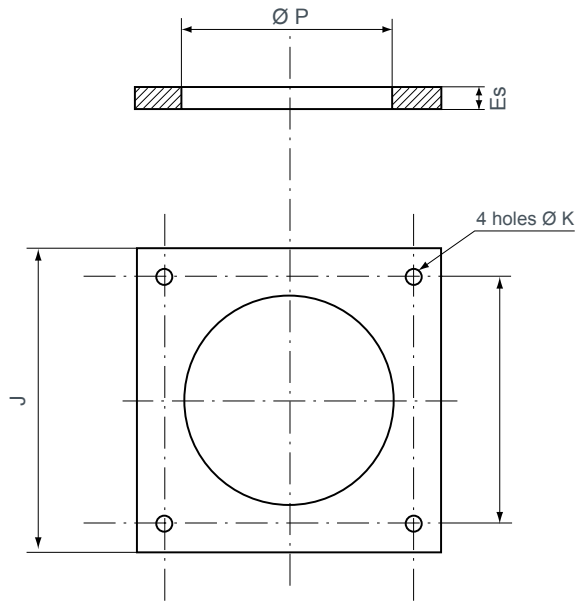
Nominal load (daN)	Load range (daN)	Part number	A	Ø B (mm)	C useful length (mm)	H unloaded (mm)	h /s under load (mm)	E (mm)	F (mm)	I (mm)	J (mm)	Ø K screw hole (mm)
30	15 to 35	E1N-3628-52	M10	37	20	100	89	5	27	114	150	9
45	23 to 52	E1N-3628-51	M10	37	20	100	89	5	27	114	150	9
60	30 to 69	E1N-3454-54	M10	37	20	100	89	5	27	114	150	9
85	43 to 98	E1N-3454-53	M10	37	20	100	89	5	27	114	150	9
110	55 to 126	E1N-3454-52	M10	37	20	100	89	5	27	114	150	9
130	65 to 150	E1N-3454-51	M10	37	20	100	89	5	27	114	150	9
165	83 to 190	E1N-3454-56	M10	37	20	100	89	5	27	114	150	9
170	85 to 196	E1N-3455-54	M20	54	40	126	115	10	41	140	165	13
230	115 to 265	E1N-3455-53	M20	54	40	126	115	10	41	140	165	13
320	160 to 370	E1N-3455-52	M20	54	40	126	115	10	41	140	165	13
425	213 to 490	E1N-3455-51	M20	54	40	126	115	10	41	140	165	13
560	280 to 645	E1N-3455-56	M20	54	40	126	115	10	41	140	165	13
500	250 to 575	E1N-3456-54	M24	116	48	154	141	15	41	210	250	18
625	313 to 720	E1N-3456-53	M24	116	48	154	141	15	41	210	250	18
800	400 to 920	E1N-3456-52	M24	116	48	154	141	15	41	210	250	18
1080	540 to 1212	E1N-3456-51	M24	116	48	154	141	15	41	210	250	18
1450	725 to 1670	E1N-3456-55	M24	116	48	154	141	15	41	210	250	18

- Vertical nominal static load : from 15 kg to 1670 daN per mount.
- Axial and radial natural frequencies : 4 to 8 Hz, depending on the load (see chart).
- Maximum axial shock displacement : 45 mm (can be increased up to 63 mm with the addition of washers).
- Maximum radial shock displacement : 45 mm.
- Structural strength : 10 g under maximum load.
- Operating temperature : - 30°C to + 80°C.

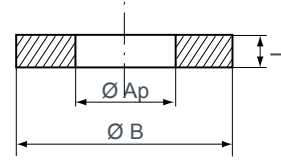


ADDITIONAL SPACERS

Washer for the mounting plate *



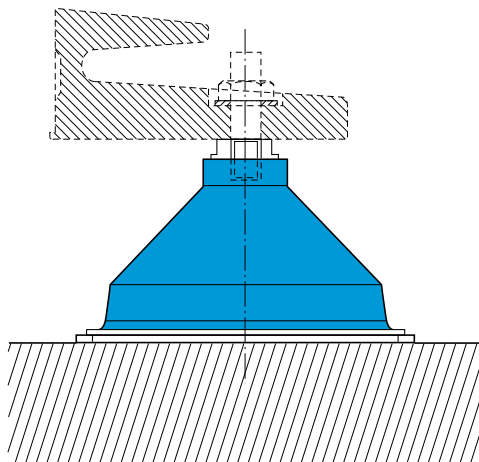
Washer for the threaded core *



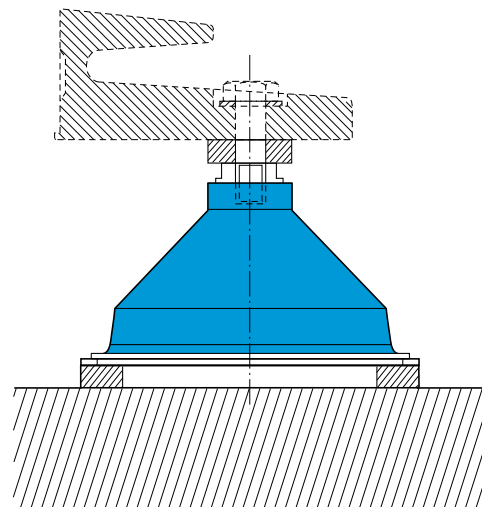
* Not supplied

For the part number	Max. axial displacem. (mm)	Washer for the mounting plate					Washer for the threaded core		
		Thickness Es(mm)	Ø P (mm)	J (mm)	l (mm)	Ø K (mm)	Ø B (mm)	Ø Ap (mm)	Height L (mm)
E1N-3628-XX	63	8	88	150	114	9	37	11	10
E1N-3454-XX	63	8	88	150	114	9	37	11	10
E1N-3455-XX	67	5	105	165	140	13	54	22	10
E1N-3456-XX	69	5	130	250	210	18	116	26	10

Installation without washer



Installation with washers



ASSEMBLY

These parts are designed to be loaded in compression. they have to be installed on a flat surface covering the entire surface of the base plate. The supported structure is then secured to the central core using a high tensile screw M20 for shape 1.

For a better result, the load per mount should be evenly distributed. In the case of a tall suspended equipment, these mounts can be used as stabilizing devices. They will be secured to the equipment only after stabilization of the base mount.

These mounts are not designed to carry a permanent load in shear or in tension.

All connections with the suspended equipment must be flexible and capable to accept high displacement allowing the suspensions to work properly.

We strongly recommend to have your installation approved by our technical department before ordering the mounts.

Assembly drawings

